

**BROEN STABILET®  
& STABILINE®  
HANDS FREE  
WATER FITTINGS**

BROEN STABILET® & STABILINE® HANDS FREE WATER FITTINGS

BROEN STABILET® & STABILINE® HANDS FREE WATER FITTINGS



**PREMIUM**

**BROEN**

INTELLIGENT FLOW SOLUTIONS

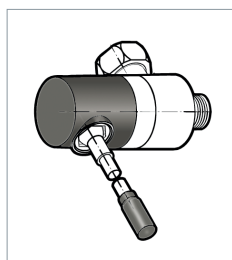


STABILET®

STABILET® and STABILINE® are valves with a unique magnetically operated opening and closing system, especially designed for use in the food industry, health sector or any other location where a high standard of hygiene is required.

The STABILET® is a thermostatic mixer with a reliable built-in DANFOSS thermostat. The element has a built-in anti-scalding device which automatically shuts off the hot water if the cold water supply is interrupted.

The STABILINE® is for cold, hot or premixed water.



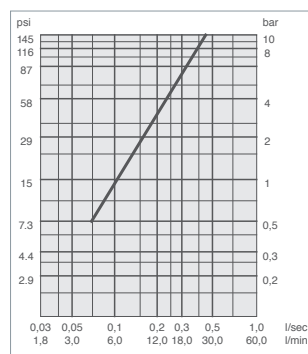
STABILINE®

**SPECIFICATIONS, STABILET® / STABILINE®**

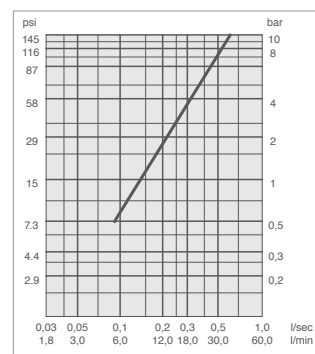
- Operating arm:** POM
- Valve housing:** Light grey BROEN POLYCOAT powder coated
- Max. temp. on hot inlet:** 90°C
- Regulating area:** 10-90°C
- Working pressure:** 0.5-10 bar
- Including outlet pipe:** PEX, length 550 mm
- Built-in thermostat, safety temp. preset to 38°C

**FLOW CHARTS**

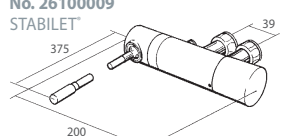
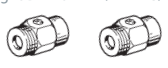
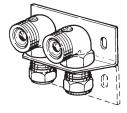
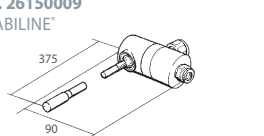

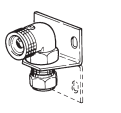
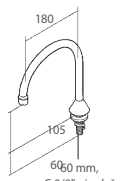
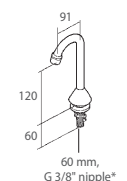
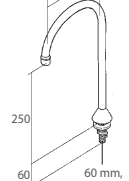
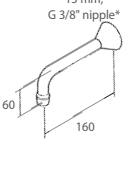
STABILET®



STABILINE®

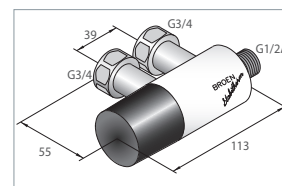


**ORDERING INFORMATION**

<p><b>No. 26100009</b> STABILET®</p>  <p><b>Mounting accessories</b> <b>No. 3321100-300002</b> Straight BALLOFIX® 1/2" F x 3/4" M.</p>  <p>Angle BALLOFIX® for Cu-pipes <b>No. 26100462</b> with 10 mm PIPEFIX®. <b>No. 26100472</b> with 12 mm PIPEFIX®. <b>No. 26100362</b> without PIPEFIX®.</p> 	<p><b>No. 26150009</b> STABILINE®</p>  <p><b>Mounting accessories</b> <b>No. 3321100-300002</b> Straight BALLOFIX® 1/2" F x 3/4" M.</p>  <p>Angle BALLOFIX® for Cu-pipes. <b>No. 26150302</b> with 10 mm PIPEFIX®. <b>No. 26150312</b> with 12 mm PIPEFIX®. <b>No. 26150322</b> without PIPEFIX®.</p> 		
<p><b>No. 26400003</b> <b>No. 26400009</b> Swivel spout.</p> 	<p><b>No. 26401003</b> <b>No. 26401009</b> Basin spout.</p> 	<p><b>No. 26402003</b> <b>No. 26402009</b> High spout.</p> 	<p><b>No. 26403003</b> <b>No. 26403009</b> Wall spout.</p> 

**STABITHERM®**

**26140009** Thermostatic mixer for water with integral check valves and filters on hot and cold water inlets.



STABITHERM®

**26140059** Lockable protection cap for STABITHERM® to prevent unauthorized regulation of temperature.

For further information, please contact your BROEN LAB representative.

\* A 1/2" sleeve adaptor is supplied with the spout for alternative connection.

All measurements in mm.



STABILET® EL

STABILET® & STABILINE® valve bodies can be upgraded to "non-touch" electronic operated systems for maximum level of hygiene and user friendliness.

Operation of the valve is simplicity in itself. Each spout has infrared sensors built into the flange. Placing the hands under the spout breaks the beam and operates the valve.



Infrared sensor

The electronic operating unit contains a main transformer and all circuits are intrinsically safe. The operating distance for the infrared sensor is preset when delivered, but the built-in potentiometer allows further adjustment on site. A built-in illuminated diode is also supplied to assist installation.

**ORDERING INFORMATION**

**No. 26200009**  
STABILET® EL incl. electronic box.

**No. 26250009**  
STABILINE® EL incl. electronic box.

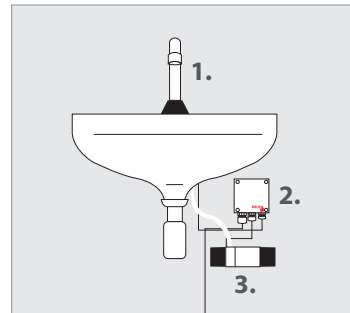
**No. 2630000**  
Electronic box. To be used when changing a knee operated fitting to electronic operated.

**No. 26301003**  
**No. 26301009\***  
Basin spout.

**No. 26302003**  
**No. 26302009\***  
High spout.

**No. 26303003**  
**No. 26303009**  
Wall spout.

**PRINCIPLE SKETCH**  
**STABILET® EL / STABILINE® EL**



1. Outlet including infrared sensor. Reacts when an object is in front of the spout.
2. Electronic box including transformer from mains to 12V DC.
3. STABILET® EL or STABILINE® EL valve.

**SPECIFICATIONS, ELECTRONIC BOX**

**Mains voltage:** 220V, 50 Hz phase, neutral and earth. Other voltage on request

**Operating voltage:** 12V DC. Short circuit safety transformer

**Power consumption:** Idling: 3 W. / Working: 3.5 W

Built-in control of max. flow time of 45 sec

Adjustable operating distance, min. 5 cm, max. 50 cm

Waterproof plastic box and cable entries, IP 65

Cable length: From electronic box to STABILET EL®/ STABILINE EL®: 100 cm

From electronic box to sensor: (spout) 100 cm

Screws and plugs included

BROEN LAB develops, manufactures and delivers complete range of fittings for professional laboratories. Our know-how and our quality products ensure the precise flow of water, gases and air, from source to user.

BROEN LAB solutions are used by professional users in many kinds of laboratories, from the education and health sectors to industry in general. Our products are already an integrated part of many workplaces. From fittings for purified water, nitrogen, vacuum and compressed air, to the control and regulation of pure gases in critical applications such as a gas chromatography and spectrometry.

Our extensive knowledge allows us to continually develop and optimize our products so that they meet customer needs and specifications. Safety, functionality and quality are an integral part of product design and flexibility. Our insight and understanding of working environments and safety in laboratories allow us to develop custom solutions for projects around the world. Use us to plan your project so we can advise you on laboratory layout and design.

#### HEAD OFFICE

##### **BROEN LAB GROUP**

Skovvej 30 • DK-5610 Assens  
Tel. +45 6471 2095 • Fax +45 6471 2476  
E-mail: lab@broen.com



##### **BROEN LAB GROUP ISO 9001 certification**

In September 1991 BROEN LAB GROUP was certified according to ISO 9001 as one of the first Danish companies. The certification was carried out by Bureau Veritas, Denmark, for our Danish site at Assens.

The quality management system of BROEN LAB GROUP now complies with detailed specifications laid down by the internationally acknowledged EN ISO 9001:2008.

This certification will further contribute to BROEN LAB GROUP's reputation for quality and reliability.

#### INTERNATIONAL OFFICES

##### **BROEN Armaturen GmbH**

Industriestrasse 8 • D - 64579 Gernsheim • Germany  
Tel. +49 6258 9319-0 • Fax +49 6258 51812  
E-mail: info@broen.de

##### **BROEN VALVES Ltd.**

7, Cleton Street Business Park, Cleton Street  
Tipton • West Midlands DY4 7TR • U.K.  
Tel. +44 121 522 4515 • Fax +44 121 522 4535  
E-mail: broenvalves@broen.com

##### **BROEN Singapore Pte. Ltd.**

10 Bukit Batok Crescent #10-02 • The Spire S(658079) • Singapore  
Tel: +65 6298 0662 • Fax: +65 6298 0468  
E-mail: sales@broen.com.sg

[www.broen.com](http://www.broen.com)

BUILDING  
INSTALLA-  
TIONS

BUILDING  
CONTROLS

DISTRICT  
ENERGY

OIL & GAS

LAB &  
EMERGENCY  
SHOWERS

